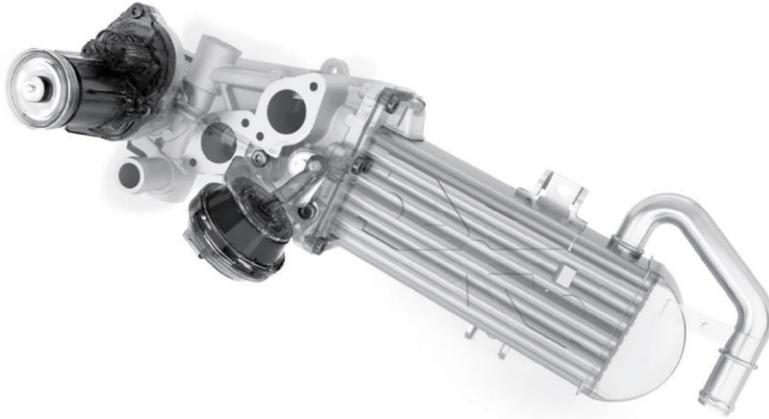


EGR valve and cooler



# Crankshaft / Camshaft Position Sensor



# ABS Wheel Speed Sensor



# PDC sensor (Parking Distance Control / Parking Assist)



# MAF sensor (Mass Air Flow)



MAP sensor



DPF sensor (Exhaust Gas Pressure sensor)



# Power Steering Pump



Oxygen Sensor



NOx Sensor

